



Towards a greener earth tomorrow..

About us..

Turbochargers are the quintessential part of modern diesels helping to reduce the exhaust emissions of an engine and add better performance and fuel efficiency at the same time. We at Paramount Autozone feel proud to be associated with a product that saves energy and saves our beautiful environment for the future generations!!

Paramount Autozone is the first authorized service center in Kerala for the service of TEL (Borg Warner) Turbochargers.

Certified with ISO 9001:2008 by TUV SUD for all its service centers, Paramount Autozone has one of the best infrastructures in the country for the service of turbochargers and is one of the best in the country for the service of turbochargers.



Our Expertise..

Our expertise in turbochargers date back to 1981, through our operations as the service dealers for Industrial diesel engines.

Operational since the year 2003 as the authorized service center, Paramount Autozone has full-fledged service centers in Palakkad , Kochi & Kozhikode.

Paramount Autozone has one of the best infrastructures in place with respect to the service of turbochargers in India for TEL and is working towards becoming the Numero Uno in the country with respect to the quality of service of the product.

Our specialized tools and equipments and our team of factory trained and experienced technicians clubbed with our quality checks at each step of service ensure that the products that we service are returned back to you with the highest levels of quality and without damaging the precious natural resources of our nature, every time.



In pursuit of excellence..

We have access towards individual genuine spares unavailable elsewhere outside the dealership network of TEL thereby bringing down the cost of repairs for your turbochargers.

We have serviced more than 10,000 turbochargers till date and is growing at a fast pace. We are geared to meet and exceed the customer expectations in terms of quality service for their turbochargers and with an expanding footprint of service centers in the country and beyond.

At Paramount Autozone, we believe that “Quality is of prime importance than Quantity” and in continuation of that principle we have achieved ISO 9001:2008 certification from TUV SUD for all our service centers.



In pursuit of excellence..

Our Vision

To expand our horizon in the field of Service by working with and offering international Quality environment friendly products and services in order to achieve growth and recognition

Our Mission

To constantly upgrade ourselves with the latest in technology to save energy and expand our business by being the leader in the field of our business.

Our Quality Policy

We are committed to achieve and sustain excellence in service performance and quality by effectively meeting customer's quality requirements through continual improvement to achieve total customer satisfaction.



Benefits of Turbochargers..

- More power
- Higher torque characteristics
- Lower engine exhaust emissions
- Lower Fuel consumption
- Smaller engine package



The autozone advantage..

BEFORE



AFTER



- Genuine and high quality Spare Parts
- Exclusive full fledged service centre for Turbochargers

➤ Failure analysis report for your turbocharger enabling to eliminate the root cause of the failure and avoid repeat failures.

➤ Training to your technicians to help them ascertain turbo failures and better maintenance of turbocharged engines.

➤ Factory trained and well experienced technicians

➤ Warranty coverage for all the service jobs we carryout.

BEFORE



AFTER



The autozone advantage..

Our quality checks at each step of service ensures that the products that we service are returned back to you with the highest quality.



Our quality is assured to our valued customers through a warranty coverage of 6 months on core assemblies and turbocharger assemblies for failures against manufacturing defects*.

*conditions apply

Our technicians not only ensure that your turbocharger is returned to you as good as new, but also provide you with the failure analysis to avoid future failures.



With technical support directly from the manufacturer, we ensure that we can provide you with a solution for all your turbocharger related complaints.

The autozone advantage..



Our access towards individual spare parts and accessories unavailable elsewhere outside the network ensure our customers the most cost effective and quality repairs of their turbochargers with genuine and high quality spare parts.



Our Services..

✓ **Exclusive full fledged service center for Turbochargers**

We undertake the repairs and service of all TEL/Borg Warner/KKK/Schwitzer turbochargers using genuine spare parts, rebuilt to manufacturer specifications thereby making your turbochargers as good as new

✓ **Warranty Services & Repairs**

We undertake services and repairs during the warranty period of your equipments and undertake repairs under warranty in the event of a warrantable failure.

✓ **Genuine and high quality Spare Parts**

We use genuine and high quality spares and core assemblies sourced directly from the manufacturers and / or their distributors so that your turbochargers give you the best performance, durability and a longer service life

✓ **Turbocharger assemblies**

We undertake replacement of non-TEL turbochargers with TEL turbocharger assemblies. We also provide technical guidance for any modifications or fitment of such replaced turbocharger assemblies.

✓ **Training on turbocharger usage and maintenance for dealers / customers[#]**

We undertake training on the usage and maintenance of turbochargers for dealership service centers, associations and customers. We can educate you on the right practices to enable you to gain maximum out of your TEL Turbochargers.

Our Services..

✓ **Field inspections for trouble shooting***

We have a field service team who can check, inspect and analyze your equipments / vehicles on the field in the event of repeat failures with respect to turbochargers and provide you with guidance to resolve the root cause of such failures.

✓ **Service Campaigns in conjunction with respective dealers / service centers**

We attend and organize service campaigns in association with the dealers / service centers of the respective manufacturers to provide you on the field analysis and guidance for the longer life and trouble free operation of your turbocharger assemblies.

✓ **Bi-Annual checkups at dealer points for turbochargers**

We undertake bi-annual checkups for turbochargers in association with dealers and service centers so that you can rest assured that your turbochargers are working perfect.

✓ **Float Assemblies for critical services***

We provide float assemblies against warranty and paid services in the event of major failures.*

*Conditions apply



Contact us..

**Paramount
autozone**

ISO 9001:2008 Certified Company

Service Centers:

Palakkad

17/550(9),KTV Tower,

West Fort Road, Palakkad – 678 001

Phone : 0491 – 3260808, 3208000

Kochi

40/618, Bhagavathy Parambil Building,

Near Federal Bank, Palarivattom, Kochi – 682 025

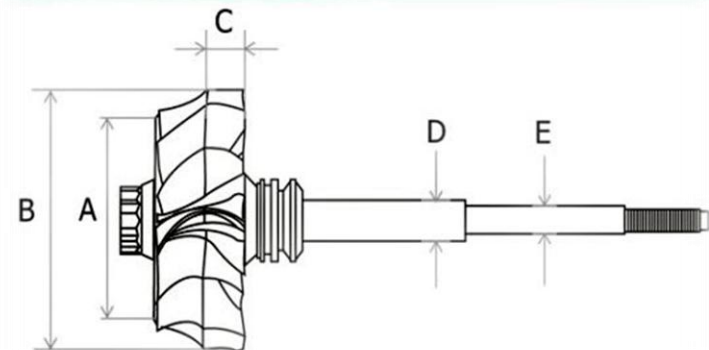
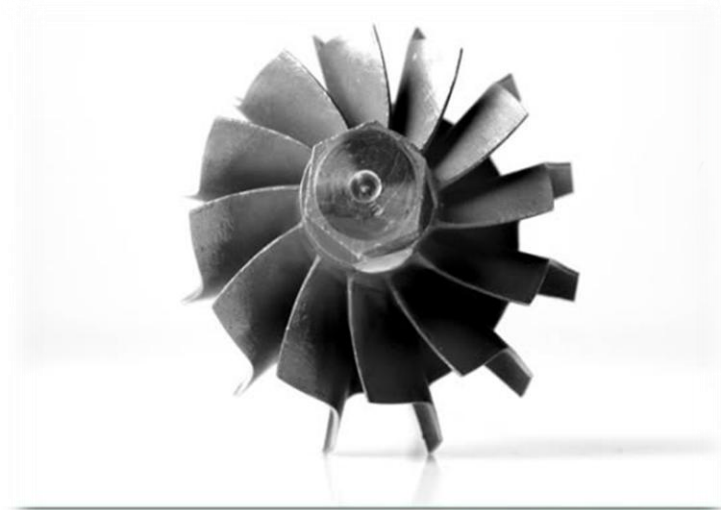
Phone : 0848 -3114333

Kozhikode

3/165-A,Nano Building,

**Major Santhosh Road, Behind Co-Op Urban Bank,
Vandipetta, West Nadakkavu, Kozhikode – 673 011**

Phone : 0495 3104333



Contact us..

**Paramount
autozone**
ISO 9001:2008 Certified Company

**Paramount
autozone**

ISO 9001:2008 Certified Company

Collection Centers:

Kannur

EP III/178, EVES Arcade,

Opposite Technical High School, Thottada, Kannur – 670 007

Phone : 0497 – 3268785

Thiruvananthapuram

TC 36/1090(9), Narayan Nilayam,

Eanchakkal Junction, Vallakadavu P.O., Thiruvananthapuram – 695 008

Phone : 0471 – 3198785

Service Helpline : +91 491 3208000

Technical Assistance : +91 93491 27136

Website : www.paramountautozone.com

www.paramountgrp.net





Terms & Conditions:

Training is organized on schedules or as per request of the customer. Kindly contact our Marketing personal for detailed information in this regard.

*Field inspections are carried out under instruction from the turbocharger manufacturer in the event of failures under warranty or for repeat failures after rectification of turbocharger. Field inspection is carried out on a case to case basis and solely on the discretion of Paramount Autozone and field inspection cannot be claimed by the customer as a matter of right.

*Float assemblies are provided as per availability of the same at our service centers. Float assemblies are provided only for failures under warranty or where availability of spares is scarce or delayed. Float assemblies may carry rental charges. Please contact our branch in your area for further details.

For more information, please contact our Manager Operations @ +91 93499 21700
Or our Manager Marketing @ +91 93499 21703

The logos / trade marks used are the individual properties of the respective owners. Kindly refrain from using them without prior consent from the owners.

This document is the property of Paramount Autozone and any unauthorized reproduction or copying of the data may invite prosecution.



Come to us for a cleaner and greener road to the future..